










ETOLIS®-1



GENERAL INFORMATION

-  **Dimensions:** 3,31 x 1,94 x 2,45
-  **Total height:** 2,45 m
-  **Free fall height:** 1,50 m
-  **Falling area (M):** 6,90 x 4,94
-  **Falling area (QM):** 24,00 qm
-  **Age group:** 4 and older
-  **Catalog page:** Page 42

The modular play system **ETOLIS®** with its modern components will give children between 4 and 10 years of age a lot of playtime fun while climbing, sliding, shimmying and romping around for years to come. **ETOLIS®** combines challenging and innovative concepts of play with high-quality and sustainable materials and a high degree of flexibility. The timeless design with primary colours gives children's imagination every liberty and at the same time inspires them to move, be creative and have exciting adventures. With optionally printed or engraved designs and decorative applications on the HPL or wooden parapets, unique themed play attractions can be created that will delight young and old alike.



ETOLIS® - PURE PLAY FUN!

The modular construction principle of the KIT+ system makes it possible to individually design age-appropriate and safe play facilities in any size and style. Everything fits together and can be combined with each other.

The extremely stable posts are available in three versions:

- Larch wood - untreated, incl. hot-dip galvanised post shoes.
- Stainless steel - glass bead blasted
- Color - powder-coated stainless steel (RAL colours)

MATERIALS

POSTS

- Larch wood - untreated, incl. post anchor
- Stainless steel - glass bead blasted
- Color - powder-coated stainless steel

SYSTEM COMPONENTS

- Outdoor HPL (High Pressure Laminate)
- Larch wood untreated
- Stainless steel
- Post anchor: hot-dip galvanised steel

ETOLIS® PLAY SYSTEM MODULES

All modules of the **ETOLIS®** play system can be combined with each other and can easily be put together to form an individual multi-play facility with an attractive range of play and movement options for every age group.

COMBINE THE MODULES

- posts / floors and platforms
- barriers / handholds / tunnels / balconies
- slides / ramps / ladders / climbs
- climbing nets / Bridges / Hanging scaffolds
- cranes / merry-go-rounds / swings

ETOLIS® is based on components of the KIT+ system, just like the **HARENA** and **FRISIA** product groups, and can therefore be combined with and under each other. In this way, cross-age and inclusive play design for all abilities is possible.

VARIANTEN

Bodenbefestigung



PLAYPARC
Mehr Spielraum für (Bewegung)

NEOSPIEL®
So funktioniert {Spiel}

Zum Einbetonieren

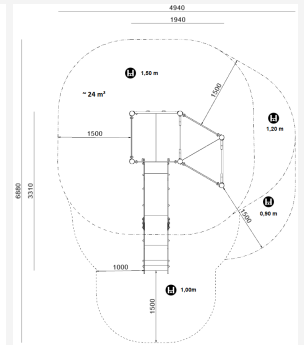
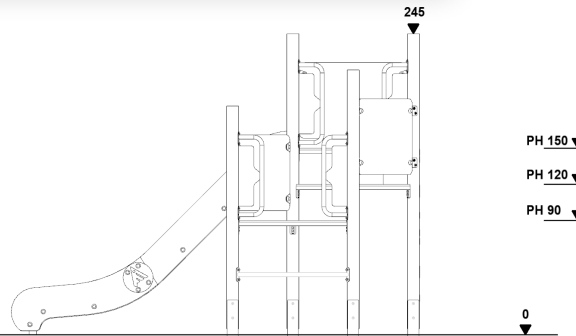
Zum einbetonieren

Pfostenmaterial

Lärche

Edelstahl

Color RAL3002



Geprüfte Sicherheit und
Qualität

www.playparc.de – info@playparc.de